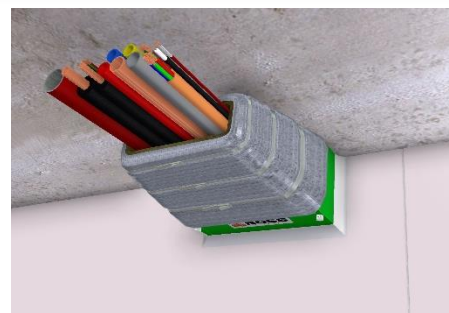
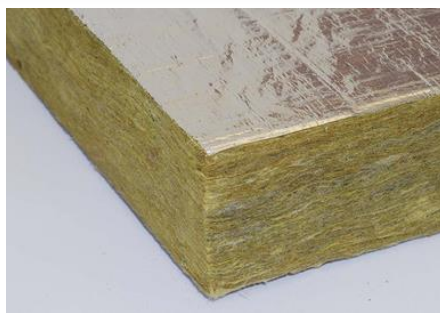


P40-MAK Wrap™

High performance, lightweight thermal wrap, providing high performance insulation to penetrating pipes, cables and cable trays.

Approved to AS1530.4: 2014 & AS4072.1-2005



Technical Data Sheet

Edition 7

December 2023

High performance thermal wrap...

BOSS Passive Fire Pty Ltd

P: 1300 502 677

NZ: 0800 502 677

W: bossfire.com.au

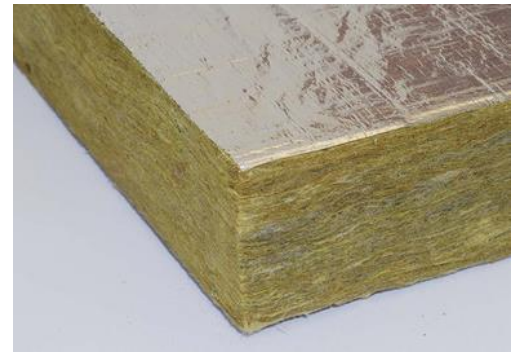
KEY BENEFITS

- Provides excellent insulation to services penetrating fire walls and floors
- Lightweight, flexible and easy to install
- Provides up to 2hrs insulation with a single layer
- Cost effective wrapping system
- Foil backing increases strength and covers exposed fibres
- Approved to multiple International Standards, including AS1530.4: 2014 and AS4072.1-2005

INTRODUCTION

BOSS P40-MAK Wrap™ is designed to provide a simple and effective method for increasing the insulation rating of thermally conductive service penetrations through fire walls and floors.

It consists of medium density mineral fibre insulation, lined on one face with reinforced aluminium foil backing. When used in conjunction with other high performance BOSS penetration seals, **BOSS P40-MAK Wrap™** will increase the insulation rating of the installed system by up to 120 minutes, by blocking the transfer of heat from thermally conductive services in a fire situation.



BOSS P40-MAK Wrap™ is lightweight, easy to handle and simple to install. It can simply be wrapped around the services to be protected and secured in place using a number of methods.

The mineral fibre insulation is non-toxic and unaffected by oil, fungus, moisture and contains no halogens or asbestos.

PHYSICAL SPECIFICATION

Approved to AS1530.4: 2014 & AS4072.1-2005

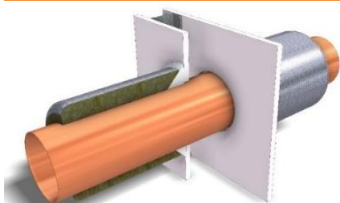
Description:	Rockwool Thermal Wrap Density: 40kg/m ³ Thickness: Min 38mm (Nom 40-50mm) Width: Min 300mm (Nom 300-330mm) 1 Sided Face: glass-reinforced aluminium foil
Available Sizes:	1000mm Long Pieces 4500mm Rolls
Density:	40kg/m ³
Backing:	Reinforced Aluminium Foil (1 side)
Insulation:	Up to 120 minutes (Refer tables in Performance Specifications beginning on page 3).

APPLICATIONS

BOSS P40-MAK Wrap™ is suitable for use in any building which has single or multiple services penetrating fire rated compartment walls and floors.

Typical installations are:

- Apartments & Residential
- Retail stores and shopping centres
- Commercial buildings
- Telecommunications / data centres
- Power stations / substations
- Factories / industrial applications
- Office fit-outs



PERFORMANCE SPECIFICATIONS

BOSS P40-MAK Wrap has approvals to AS1530.4: 2014 and AS4072.1-2005 for a wide variety of applications, insulating heat-conductive services for up to 120 minutes.

Applications include steel, copper & iron pipes, lagged steel, copper & copper pipes, mains power cables, TPS circuit cables, telecommunications cables and cable trays.

IMPORTANT:

In order to ensure performance and compliance, passive firestopping products must be installed in accordance with the test evidence, manufacturer's specifications or be the subject of a performance solution.

Each project and/or application may have specific requirements and you should investigate these carefully.

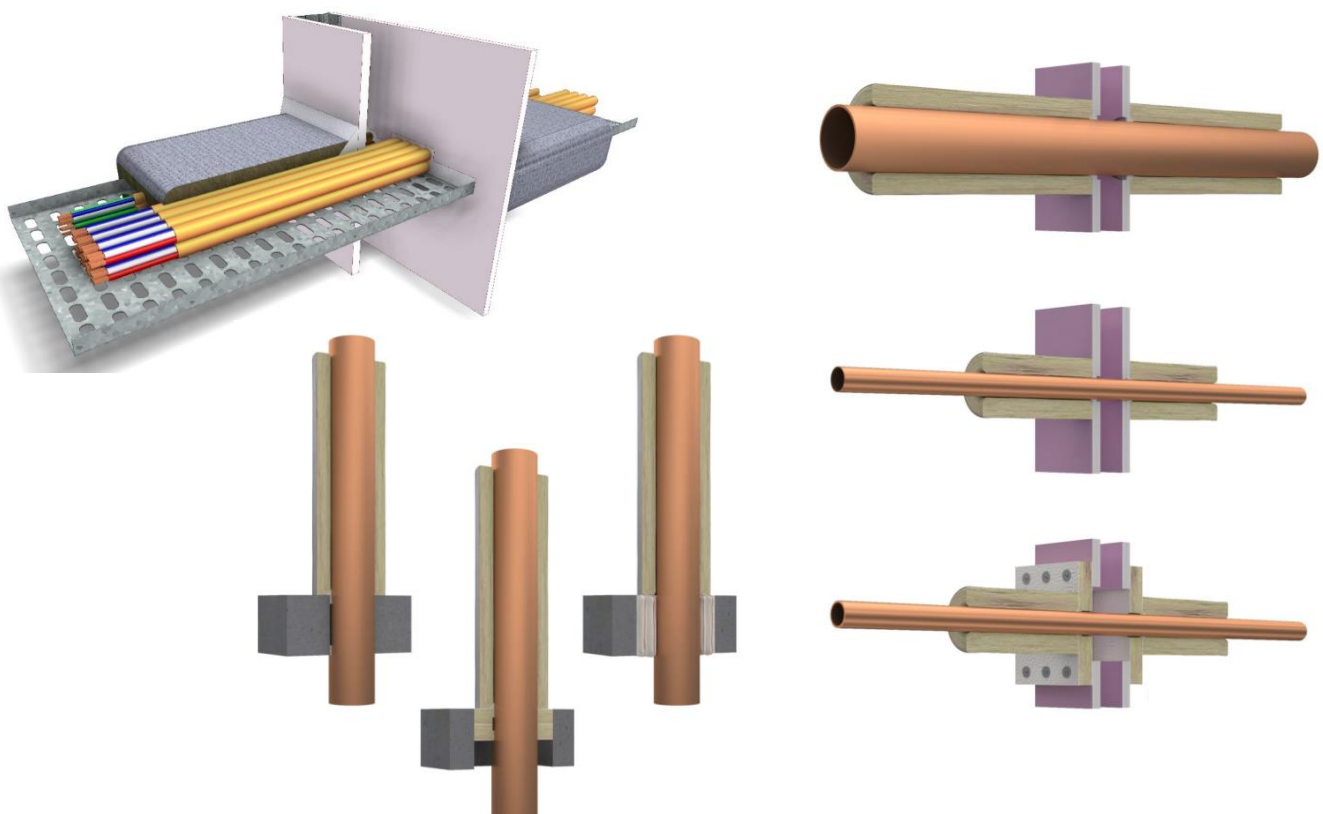
Ensure that you read and understand the appropriate certification and how it relates to your specific construction details, and ensure you seek acceptance from the Certifying Authority or compliance inspector before installation.

Ensure your installation is carried out in accordance with the test certification, manufacturer's instructions, and in accordance with the relevant local building regulations, National Construction Code or Building Code.

For updates on the range of BOSS Fire® certification please contact BOSS Technical Services. +612 9531 8591 OR info@bossfire.com.au

BOSS FIRE SYSTEM MATRIX

For specific summary information on the approved systems relevant to P40-MAK Wrap™ please refer to the BOSS Fire System Matrix. The BOSS Fire System Matrix is a filterable summary document containing information to help select the appropriate system relevant to your building application. Associated Test and Assessment Reports are also available for download from the Resources page at bossfire.com.au/resources.



INSTALLATION METHODS

Preparation:

1. Ensure that the primary service penetration sealing system) has been installed correctly as per the installation instructions for that system.
2. Remove all unnecessary combustible materials from area adjacent to the seal. Use a dust pan and brush, sweep all loose material and debris from the services and service support system.
3. Insulation lagging on services may be left intact.

Installation:

1. Wear suitable attire and eye protection to avoid skin and eye contact.
2. Fasten one end of the wrap to the services / tray being wrapped using adhesive-backed foil tape.
3. Carefully install the wrap around the service/s and/or tray, applying gentle tension to the foil backing to ensure a snug fit.
4. Cut the wrap to the required length, to ensure a minimum overlap across the join of 100mm or as per the supporting tested system. Note that some tested systems require the services to be wrapped to form multiple layers or in some cases be extended in distance from the substrate requiring multiple wraps.
5. Secure the wrap across the join using adhesive-backed foil tape.
6. Any exposed fibres on the edges of the wrap can be covered by application of a strip of adhesive-backed foil tape.
7. Secure the wrap in position using steel tie-wire or steel cable ties as per the tested system.
8. Maintain a record of the installation and label as required.

HEALTH AND SAFETY

To learn more about the safe handling of BOSS P40-MAK Wrap™, see the Safety Data Sheet available at www.bossfire.com.au

IS THIS PUBLICATION CURRENT?

This document may be superseded by new versions. If you are unsure of whether this document is a current publication, please call us on +61 2 9531 8591 to confirm.

LIMITATION

BOSS Passive Fire Pty Ltd has provided the above technical information in good faith and to the best of its knowledge. This information was deemed to be correct at the time of publication. Should any data come to BOSS Passive Fire's attention relating to the fire resistance or performance of the product described BOSS Passive Fire reserve the right to amend this report.

BOSS Passive Fire strive to constantly improve and develop products so this information may change without notice.

The information contained herein has been developed as a guide only and it does not constitute a guarantee of compliance of all applications. Each project and/or application may have specific requirements and you should investigate these carefully. Ensure that you have read and understood the appropriate certification relative to your needs, and ensure you seek acceptance from the Certifying Authority or compliance inspector before installation. For updates on the range of BOSS Fire® certification please contact BOSS Technical Services on +61 2 9531 8591.

FURTHER INFORMATION

For additional technical information on the performance of BOSS P40-MAK Wrap™, other BOSS Fire® products or any other BOSS Fire® related information please contact us on:

AU:

1300 502 677
Bossfire.com.au

NZ:

0800 502 677
Bossfire.co.nz

Admin:

+612 9531 8591
info@bossfire.com.au
Unit 1, 16 Atkinson Rd Taren Point NSW 2229 AUSTRALIA