

BOSS Cable Transits CT120 & CT240

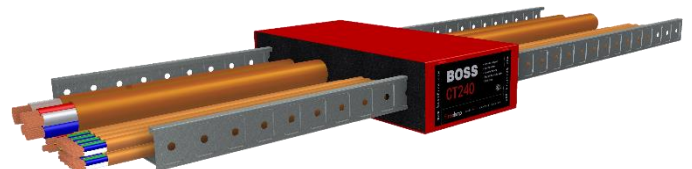
Protecting electrical power, data, comms cables, cable trays, conduit & metal pipes from fire & smoke
Approved to AS1530.4 & AS4072.1



Technical Data Sheet

Edition 3

Published: April 2020



Bundled services for up to 4 hours fire protection....

BOSS Fire & Safety Pty Ltd

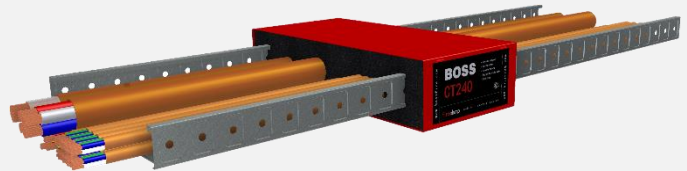
AU: 1300 50 2677

NZ: 0800 50 2677

W: bossfire.com

KEY BENEFITS

- Fire rates electrical power, data & comms cabling, cable trays and metal pipes
- Designed for single cables or multiple cable bundles
- Fast & easy to install
- Use in floors and walls, including plasterboard
- Easy retrofit design
- Corrosion resistant
- Up to 4 hours fire protection
- Tested and approved to AS1530.4 & AS4072.1



INTRODUCTION



BOSS Cable Transits CT120 & CT240 are designed to prevent the spread of fire and smoke from one compartment to another where electrical power, data and comms cables penetrate through separating walls and floors.

The **Cable Transit CT120 & CT240** mounting flange provides a quick and easy method of installing single or multiple Cable Transits, even in plasterboard partitions. The unique design means BOSS Cable Transits do not need mechanical fixings and clamp to the wall using metal flanges. By using larger flanges, multiple Cable transits can be banked together alongside each other, providing fire rated penetrations for multiple cables bundles, and with added changeability for future additions or alterations. The unit has a hinged split body which provides an easy retro-fit option where cables are pre-installed.

HOW DOES IT WORK?

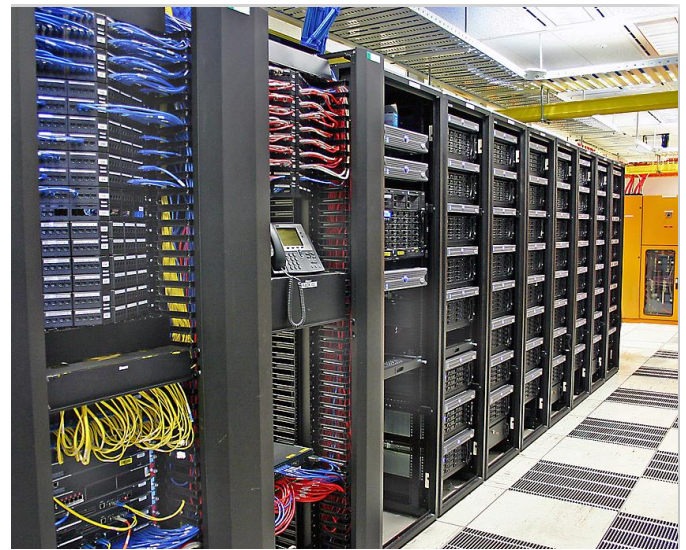
The BOSS Cable Transits consist of a square round and rectangular steel sleeve containing heat reactive intumescent material. The cable transit device is placed in the wall or floor slab and the cables, cable trays and pipes pass through the device.

When exposed to the heat of a fire, the graphite based intumescent material contained in the Cable Transits expand rapidly to close and seal the inside of the sleeve, preventing the spread of fire from one compartment to another.



WHY USE BOSS CABLE TRANSITS CT120 & CT240?

- Approved to AS1530.4, AS4072.1 and EN1366.3
- 1hr, 2hr and 4hr applications
- Fire rates electrical & comms cabling, cable trays, conduit and metal pipes
- Use in walls or floor slabs
- Manufactured under ISO 9001:2000
- Corrosion resistant – ideal for aggressive environments
- Certification for a wide range of cables
- Available in a range of practical sizes
- Quick and easy to install – provides flexible cable routing
- Can be re-used repeatedly for additions and alterations to cabling
- Each unit is suitable for both cast-in or retro-fit applications
- Can easily be identified and located as a building’s approved path of services



APPROVED SUBSTRATES

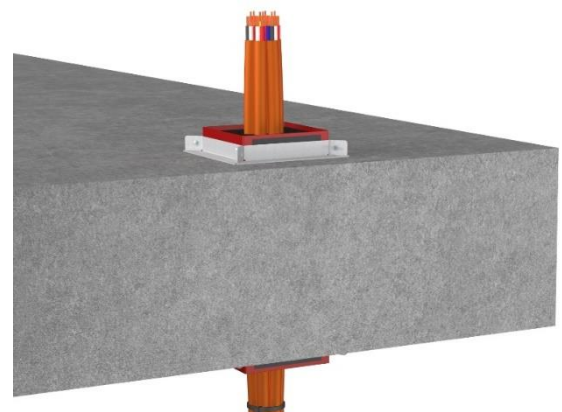
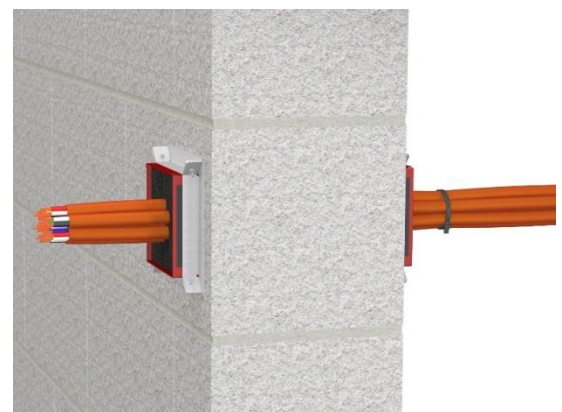
BOSS Cable Transits CT120 & CT240 are approved in a wide variety of substrates. These include:

- Fire Rated Plasterboard Walls
- AAC / Hebel Walls
- Masonry / Block / Concrete Walls
- Concrete Floor Slabs
- Calcium Silicate FR Board

APPLICATIONS

Suitable for any building where electrical power, data or communication cables penetrate a fire rated wall or floor.

- Data Centres
- Computer / Server Rooms
- Apartment buildings
- Office buildings
- Commercial & retail centres
- Telecom sub stations
- TV & Media Studios
- Hospitals
- Airports
- Hotels



PERFORMANCE SPECIFICATIONS

BOSS Cable Transits CT120 & CT240 has extensive fire test approvals in wall and floor slab applications including AS1530.4, and AS4072.1 offering up to FRL -/240/240. Please refer to the further tables contained in this document for specific performance information relevant to various applications.

Each project and/or application may have specific requirements and you should investigate these carefully. Ensure that you have read and understood the appropriate certification relative to your needs, and ensure you seek acceptance from the Certifying Authority or compliance inspector before installation. For updates on the range of BOSS Fire® certification please contact BOSS Technical Services.

ELECTRICAL SERVICES

Element - Substrate	Device - Configuration	Services	FRL	Report Ref.
Floor: Concrete	CT120	up to 40 Comms Cables	-/240/240	Branz 3402
		up to 50 Data Cables	-/240/120	
		up to 50 Power Cables	-/240/60	
		AS 1530.4 Appendix D1 Power Cables	-/240/-	Branz FAR 2981.2
	Any mix of AS 1530.4 Appendix D1 Power Cables and Data Cables			
	CT120 Triplex Configuration	up to 100 Data Cables per device up to 25 Comms Cables per device	-/240/120	Branz FR 3402
		Blank Seal - (Empty) up to 30 Comms Cables per device up to 15 Power Cables per device		
CT240	500mm Wide Cable Tray Up to 550 Comms / Data Cables	-/240/60	Branz FR 3981	
	300mm and 200mm Cable Tray 18 Mains Power Cables (up to 23mm Dia. Approx.) Bundle of 50 Comms Cables	-/240/-		
Wall: FR Plasterboard Concrete Masonry	CT120	up to 75 Comms / Data Cables	-/120/60	Branz FR 3403
		up to 20 Power Cables		
		AS 1530.4 Appendix D1 Cables	-/120/-	Branz FAR 2981.2
	Any mix of AS 1530.4 Appendix D1 Power Cables and Data Cables			
	CT120 Triplex Configuration	Blank Seal - (Empty) up to 28 Comms Cables per device up to 17 Power Cables per device	-/120/60	Branz FR 3403
		up to 120 Data / Comms Cables per device		
	CT240	500mm Wide Cable Tray Up to 550 Comms / Data Cables	-/120/60	Branz FR 3982
300mm and 200mm Cable Tray up to 18 Mains Power Cables (up to 23mm Dia. Approx.) up to 100 Comms Cables		-/120/30		
Wall: AAC / Hebel	CT120	Aluminium Mains Cables	-/120/30	SFC FRT 180473b.2

NB: Please ensure you read and understand the certification in full, as certain performance results in the above table relate to specific sizes and configurations of Cable Transit.

PERFORMANCE SPECIFICATIONS CONTINUED

PLUMBING / HVAC SERVICES

Element - Substrate	Device - Configuration	Services	FRL	Report Ref.
Floor: Concrete	CT240	Multiple Lagged Copper Pipes: -2 x 15mm OD Pipes -2 x 28mm OD Pipes -2 x 22mm OD Pipes -2 x 42mm OD Pipes	-/120/90	Branz FR 3981
Floor: 120mm Concrete / Calcium Silicate Board	CT240	3 x 34.2mm OD Copper Pipes with lagging	-/120/30	
Wall: FR Plasterboard Concrete Masonry	CT240	Multiple Lagged Copper Pipes: -2 x 15mm OD Pipes -2 x 15.875mm OD Pipes -2 x 34.925mm OD Pipes -2 x 28.575mm OD Pipes	-/120/60	Branz FR 3982
	CT120	42mm OD Copper Pipe w/Lagging	-/120/60	

NB: Please ensure you read and understand the certification in full, as certain performance results in the above table relate to specific sizes and configurations of Cable Transit.

MIXED SERVICES BUNDLES

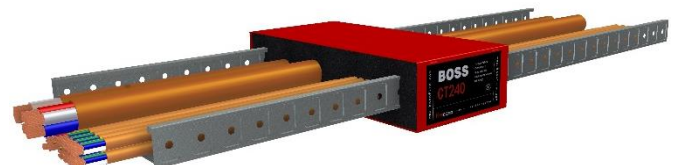
Element - Substrate	Device - Configuration	Services	FRL	Report Ref.
Floor: 120mm Concrete / Calcium Silicate Board	CT240	3 x 34.2mm OD Copper Pipes with Lagging 300mm Wide Cable Tray Up to 109 Comms Cables Up to 150 Data Cables	-/120/30	Branz FR 3981

NB: Please ensure you read and understand the certification in full, as certain performance results in the above table relate to specific sizes and configurations of Cable Transit.

BLANK OPENINGS







Element - Substrate	Device - Configuration	Services	FRL	Report Ref.
Floor: Concrete	CT120	Blank Seal - (Empty)	-/240/120	Branz FR 3402
Wall: FR Plasterboard Concrete Masonry	CT120	Blank Seal - (Empty)	-/120/60	Branz FR 3403

NB: Please ensure you read and understand the certification in full, as certain performance results in the above table relate to specific sizes and configurations of Cable Transit.



PRODUCT SIZES & CONFIGURATIONS

An array of installation sizes and configurations are available. Where square Cable Transits are used, banking and multiplication of flanges creates additional capacity for larger cable installation.

Product Code	Sizes Available	Description	Configuration
CT120-65	65x65mm	CT120 – Singular Square cable transit	
CT120-100	100x100mm		
CT120-65DX	130x65mm	CT120 – Duplex – 2 x 1 Square cable transit – 2 way flange	
CT120-100DX	200x100mm		
CT120-65TX	200x65mm	CT120 – Triplex – 3 x 1 Square cable transit – 3 way flange	
CT120-100TX	300x100mm		
CT120-65SX	200x135mm	CT120 – Sixplex – 3 x 2 Square cable transit – 6 way flange	
CT120-100SX	300x200mm		
CT120-50R	50mm dia.	CT120 – Round – Singular Circular cable transit	
CT120-100R	100mm dia.		
CT120-150R	150mm dia.		
CT240-350	350x125mm	CT240 – Singular Rectangular Cable & Cable tray transit	
CT240-550	550x125mm		

HEALTH AND SAFETY

To learn more about the safe handling of Cable Transits CT120 & CT240 see the Safety Data Sheet available at bossfire.com

IS THIS PUBLICATION CURRENT?

This document may be superseded by new versions. If you are unsure of whether or not this document is a current publication, please call us on +61 2 9531 8591 to confirm.

LIMITATION

BOSS Fire & Safety Pty Ltd has provided the above technical information in good faith and to the best of its knowledge. This information was deemed to be correct at the time of publication. Should any data come to BOSS Fire & Safety's attention relating to the fire resistance or performance of the product described, BOSS Fire & Safety reserve the right to amend this report.

BOSS Fire & Safety strive to constantly improve and develop products so this information may change without notice.

The information contained herein has been developed as a guide only and it does not constitute a guarantee of compliance of all applications. Each project and/or application may have specific requirements and you should investigate these carefully. Ensure that you have read and understood the appropriate certification relative to your needs, and ensure you seek acceptance from the Certifying Authority or compliance inspector before installation. For updates on the range of BOSS Fire® certification please contact BOSS Technical Services. +61 2 9531 8591

FURTHER INFORMATION

For additional technical information on the performance of BOSS Cable Transits CT120 & CT240, other BOSS Fire® products or any other BOSS Fire® related information please contact us on:

AU:

1300 50 2677
Bossfire.com.au

NZ:

0800 50 2677
Bossfire.co.nz

Admin:

+612 9531 8591
info@bossfire.com.au
Unit 1, 16 Atkinson Rd Taren Point NSW 2229 AUSTRALIA